

# Veggie Wall<sup>®</sup> Kit Instructions

Model No. VW-SP001



# PART LIST

No.	Part No	Description	QTY. (Usage)	QTY. (Backup)
1	S-001	Stake	3	0
2	AS-001	Stake cover	3	0
3	C-001	Half connector	6	0
4	S-002	L connector	2	0
5	S-003	T connector	3	0
6	AS-002	Adaptor cap	3	0
7	T-002	Lower tube	3	0
8	T-003	Upper tube	3	0
9	T-001a	Long tube	2	0
10	AS-003	Cross brace	1	0
11	AS-004	Net	1	0
12	AC-002	tie	25	2
13	AC-003	Washer	28	2
14	AC-004	Spring washer	14	2
15	AC-005	Ball nut	12	2
16	AC-006	M4X28 bolt	14	2
17	AC-008	Nut	2	0



1



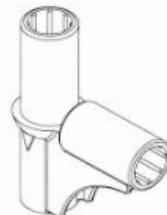
2



3



4



5



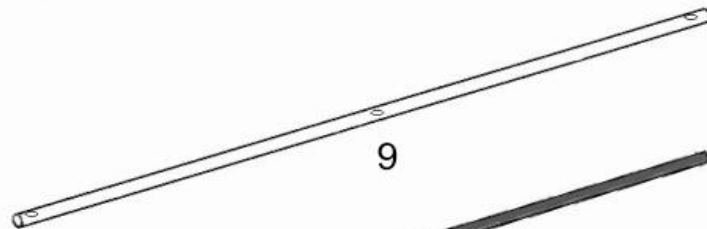
6



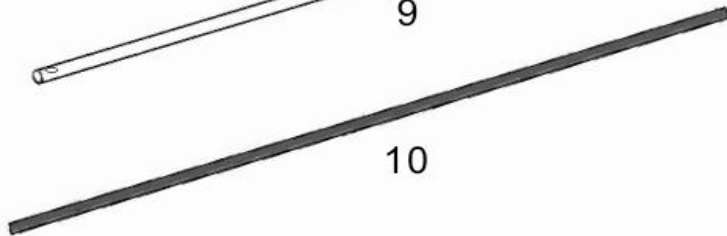
7



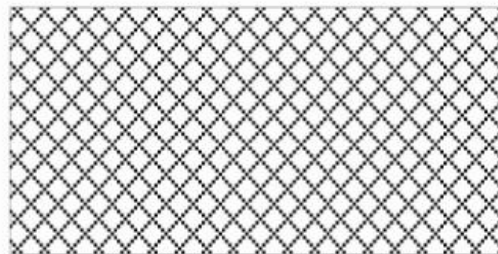
8



9



10



11



12



13



14



15



16



17

# INSTALLATION

## STEP 1.

Insert the upper tube(8) into the Half connector(3). Then push the bolts(16) with washer(13) through the tube, add washers (13, 14) and completely tighten ball nuts(15). Repeat with the second and third tubes (7,8), Half connectors(3), washers and ball nuts .

## STEP 2.

Insert one long tube(9) into the two T- connector(5), and one long tube(9) into One T-connector (5) and one L-connector(4). Put L connector(4) into T-connector (5). Position the assembled L-Section on the ground with the open connector holes facing down and position the cross brace(10) above the tubes(9). Next, push the bolts (16) with washer(13) through the cross brace and tube, add washers(13, 14) and completely tighten nuts (17). Put the Adapter cap on connect "T+L"(4+5) or just "T" Connector(5).

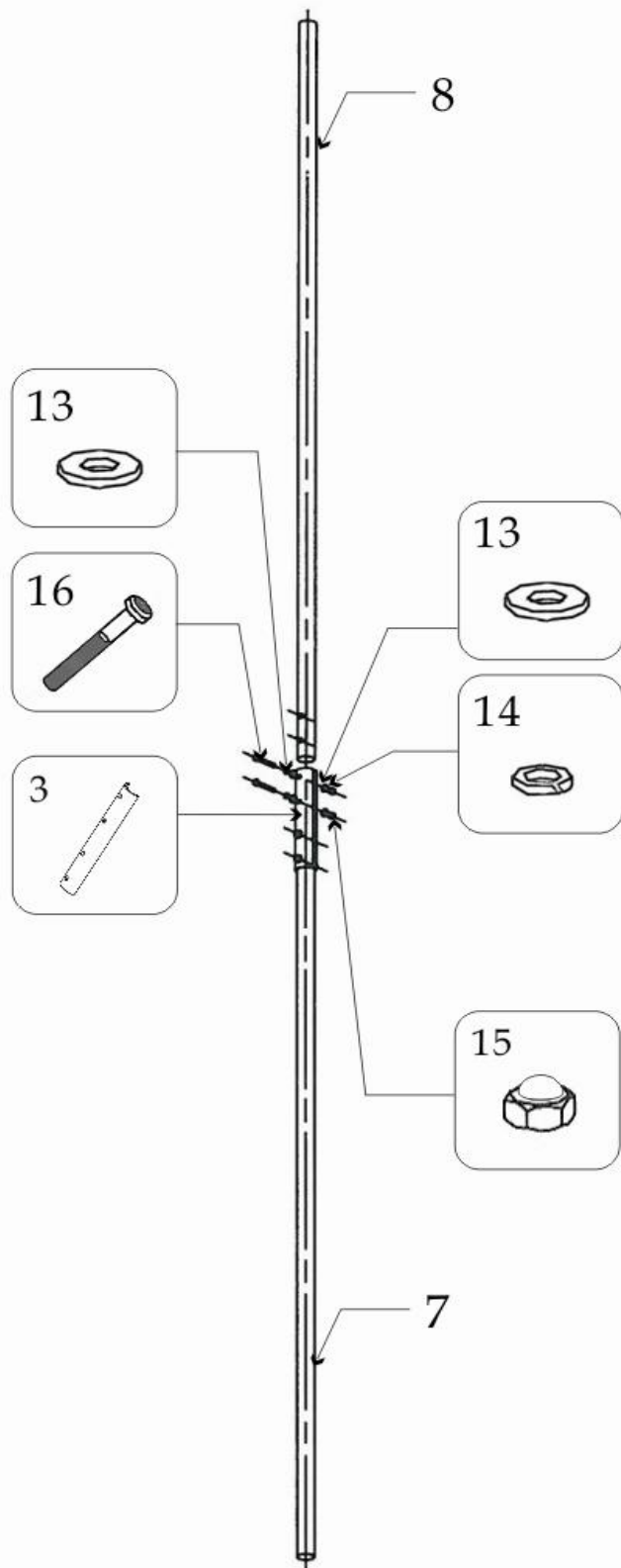
## STEP 3.

Take the entire assembled frame and insert it into the top of 3 adjacent garden stakes(1) through the stake cover(2) in your garden bed.

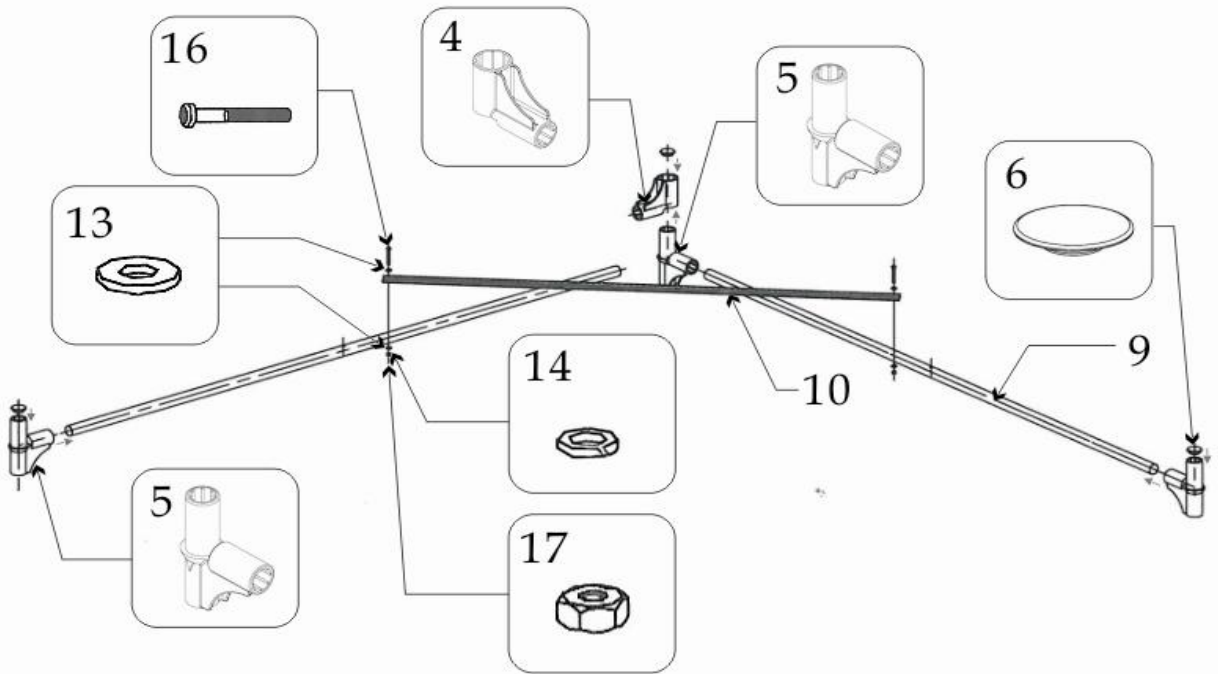
## STEP 4.

Open the green net(11) completely. Use the cable ties(12) to affix the net onto the frame. Do this by starting at the top and affixing 5 ties to each of the upper horizontal tubes, and then affixing 3 ties to each of the three upper tubes and 2 ties to three lower tubes. For best results equally space all ties.

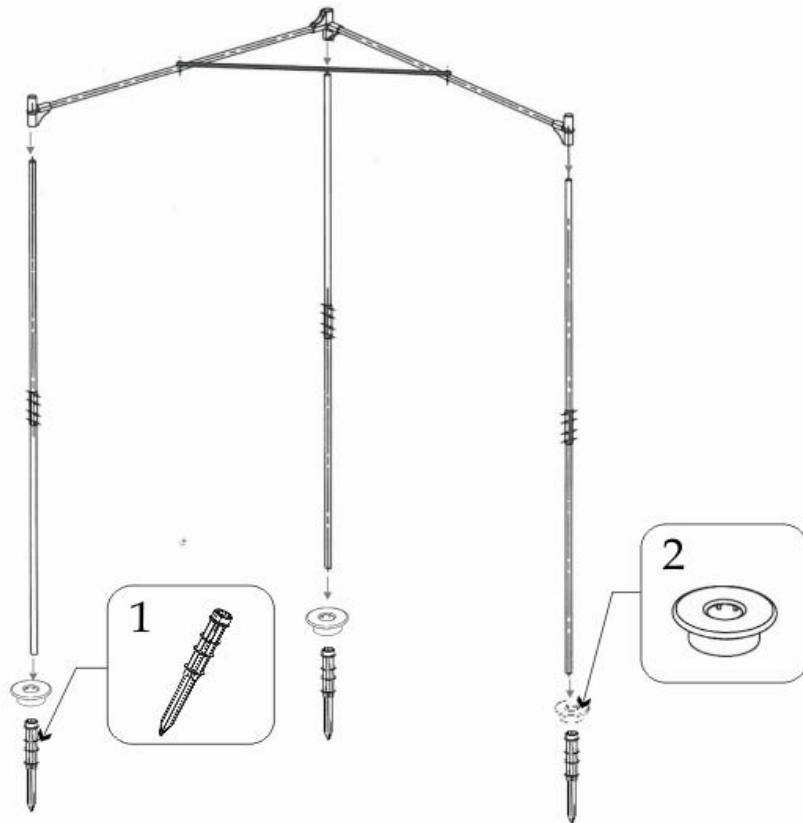
**STEP1:**



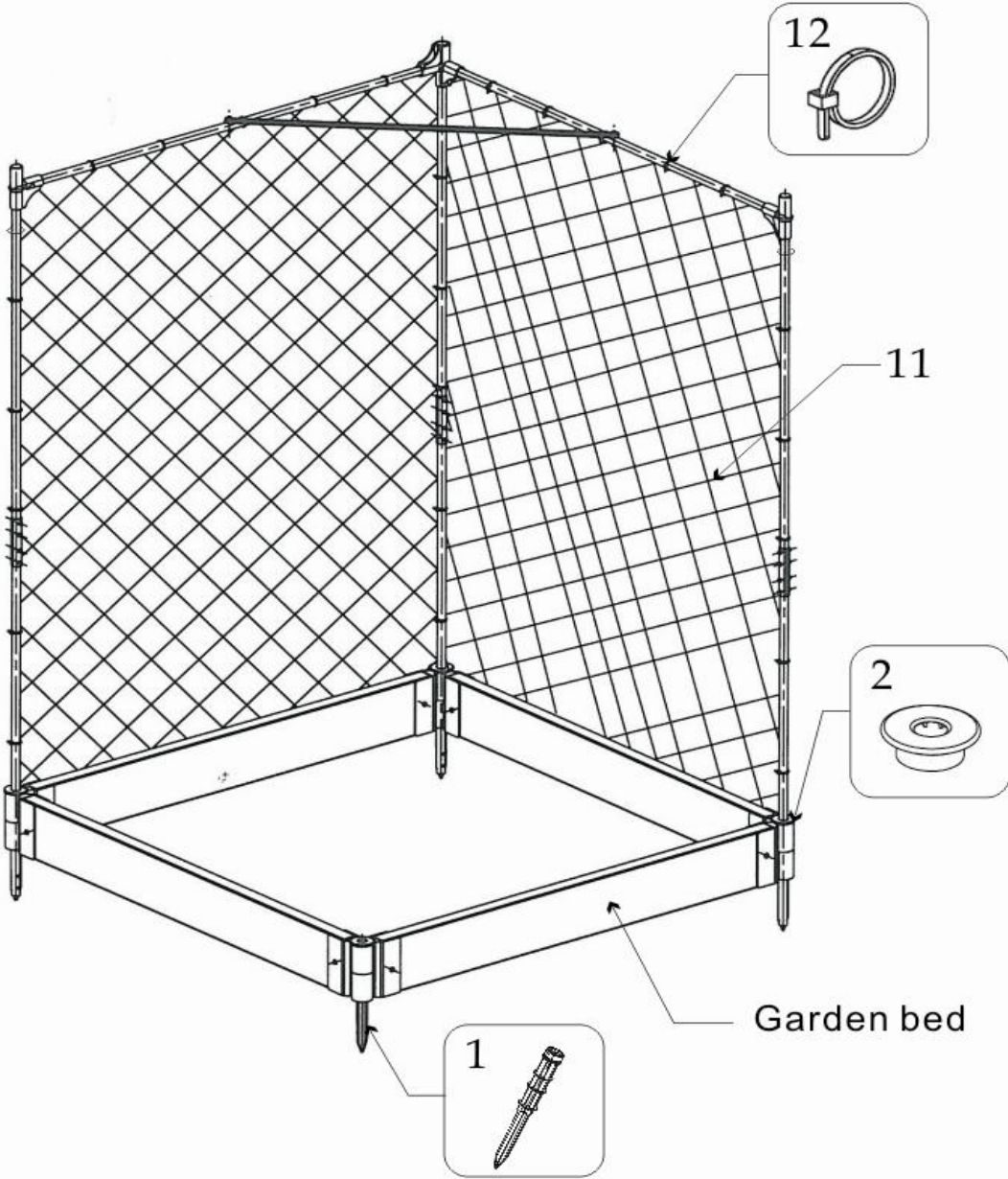
**STEP2:**



**STEP3:**

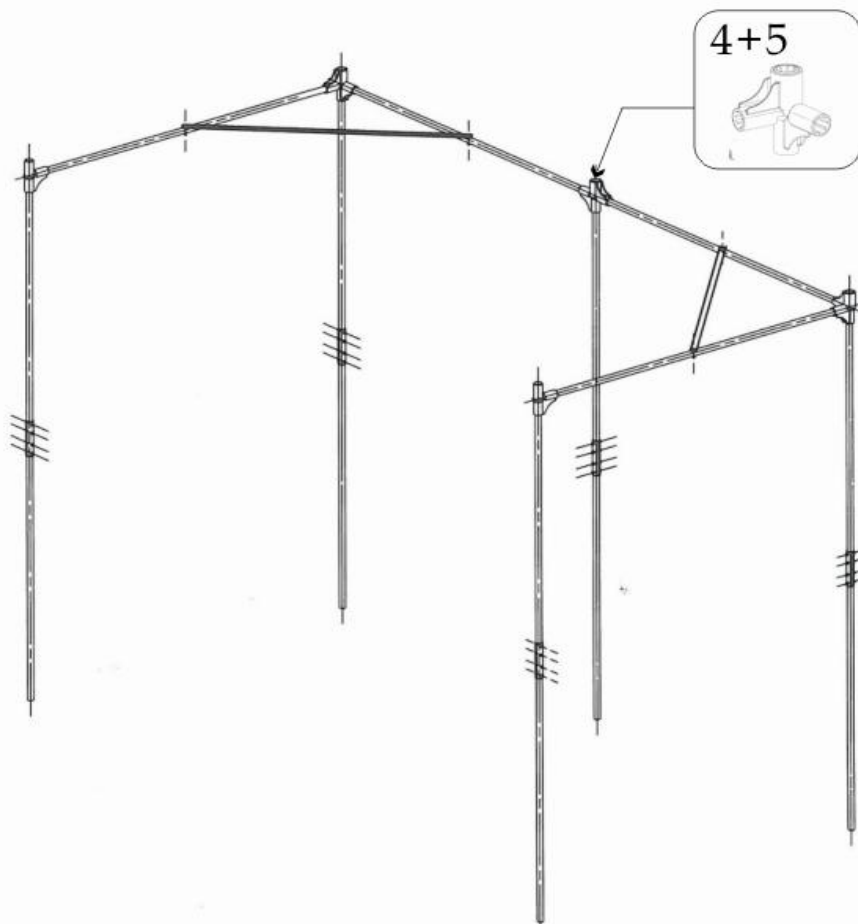


**STEP4:**





**OPTIONAL:**



OPTIONAL: To add a second adjacent Veggie Wal® I Kit to the same garden bed, attach one L-connector(4) to a T-connector (5) as shown in the diagram attached. When you do this, one vertical tube is not needed.

Manufactured and Distributed by  
Scenery Solutions, Inc.  
222 Grace Church Street, Suite 302  
Port Chester, NY 10573

Questions Call: 800-914-9835  
admin@frameitall.com